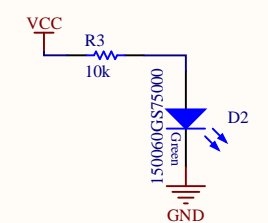
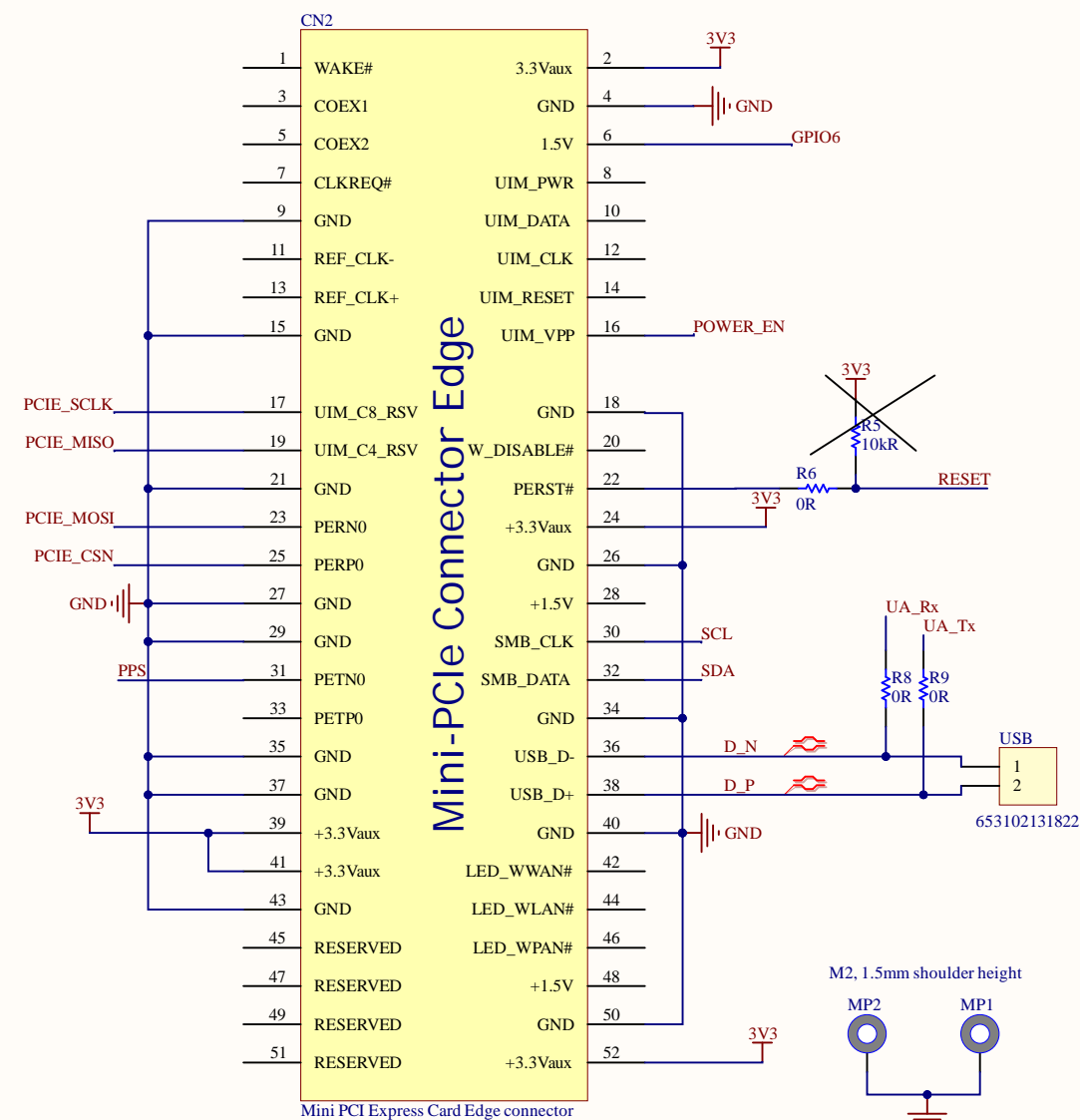


Secure Element



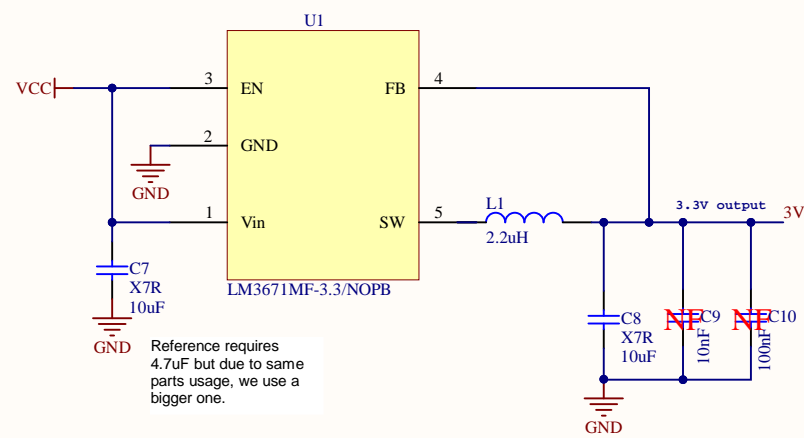
Power-on LED

### Mini PCIe Connector



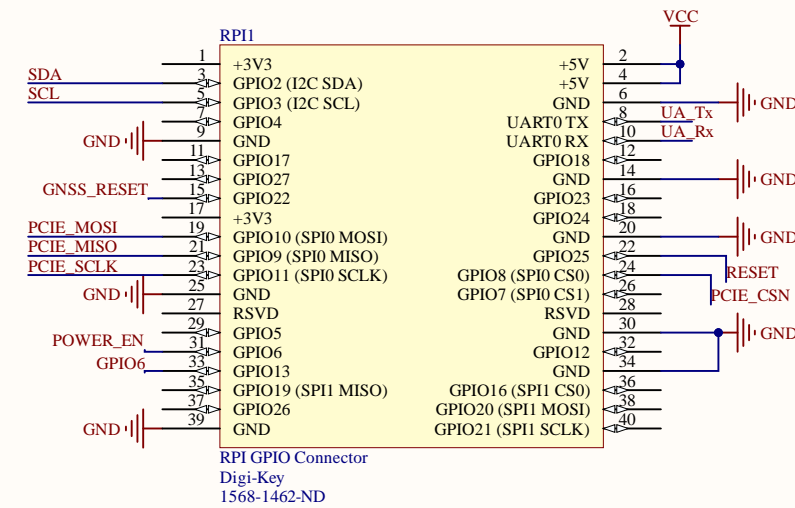
Mini PCI Express Card Edge connector

### 3V3 Rail



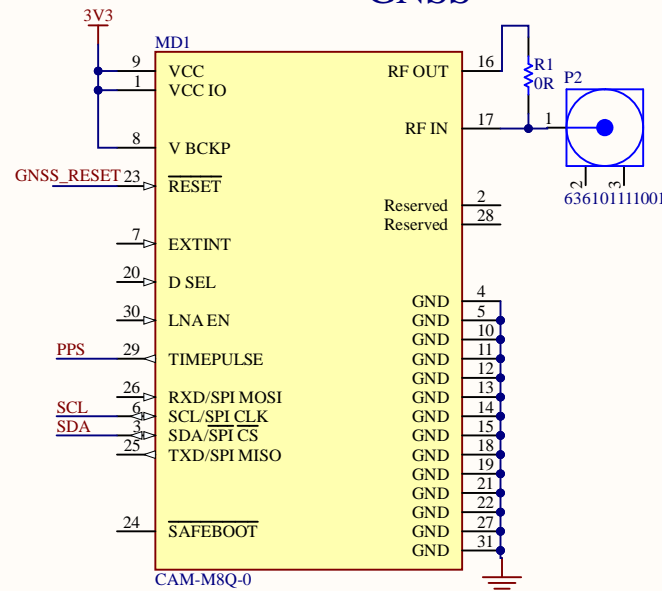
Reference requires 4.7uF but due to same parts usage, we use a bigger one.

### Raspberry PI Connector



RPI GPIO Connector  
Digi-Key  
1568-1462-ND

### GNSS



u-blox CAM-M8 or Quectel L96-M33

### FIDUCIALS



Title		
Size	Number	Revision
A3		
Date:	9/14/2021	Sheet of
File:	\\.\RPi3Bplus_PoE_Lora.SchDoc	Drawn By: